

GROSS



The flexible and powerful grinders
for universal deployment

Single-shaft grinder
Series GAZ 82 - GAZ 202 S



Grinding and briquetting technology

GAZ series 82-202 S – The slowly turning single-shaft shredder

The GAZ 82 and GAZ 82 S series are specially built to meet the demands of the wood-working industry. It can shred all types of wood waste such as chip-pings, pallets, particle board etc. The basic models are equipped to customer specific requirements (throughput capacities, hopper and rotor design etc.).

The GAZ 102 - GAZ 252 series was designed for shredding of large material quantities. The single-shaft shredders are suitable for shredding all types of woods, and hard and tough plastics. The high-performance motors from 1 x 22 kW to 2 x 90 kW with turbo coupling provide for high throughput.



GAZ 132 S with hopper extension (rear view)

Application examples



GAZ 82 S with pipe magnet



GAZ 82 S with conveyor belt



GAZ 82 S situated on container



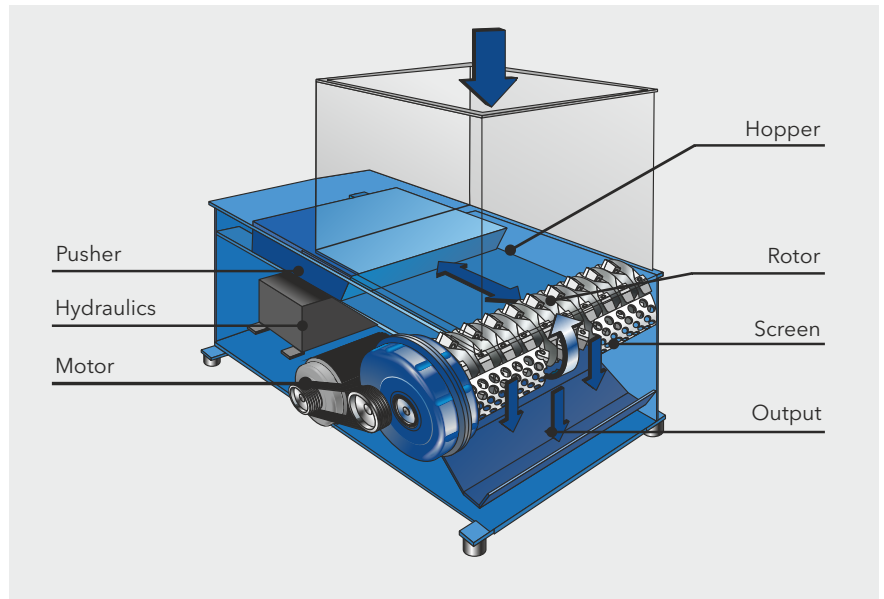
GAZ 82 S in combination with conveyor belt and briquetting press

Functional description

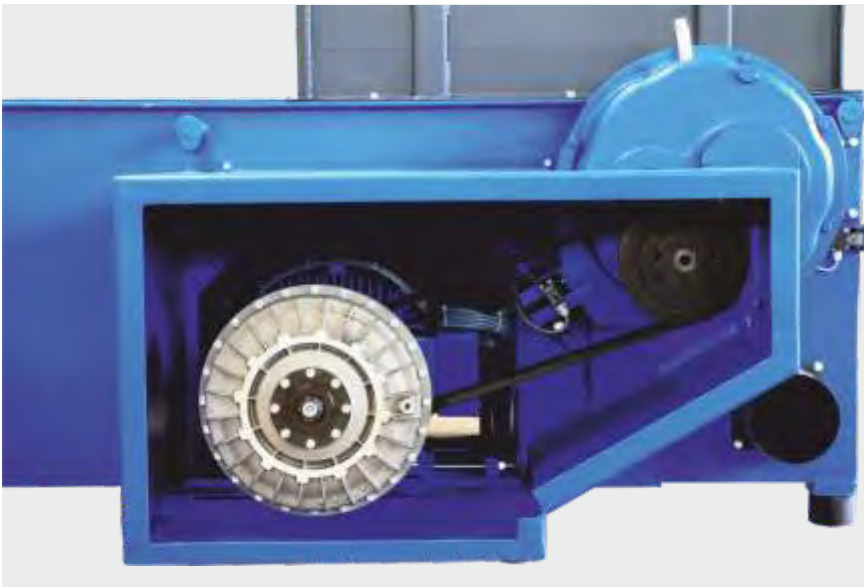
Material is fed through the hopper in front of a hydraulically operated pusher which pushes the material under load-dependant control onto the revolving rotor. The material is shredded between the rotor knives and a fixed counterknife. The pusher is fitted with wiper strips which prevent material from entering between the drawer and machine housing. The perforated sieve with varying hole diameters determines the size of the chippings or shavings.

The shavings produced can be removed from the machine by means of a suction device or a screw conveyor.

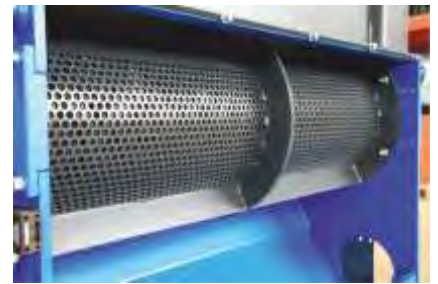
As soon as the material in the hopper has been completely shredded, the machine switches off automatically.



Technical Details



Powerful drives, with optional hydraulic clutch, 5-fan belts, robust gearbox



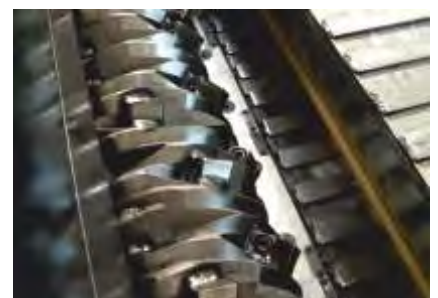
Various screens
Turbo hydraulic with optional oil cooling



Rotor with one row of knives for low power consumption

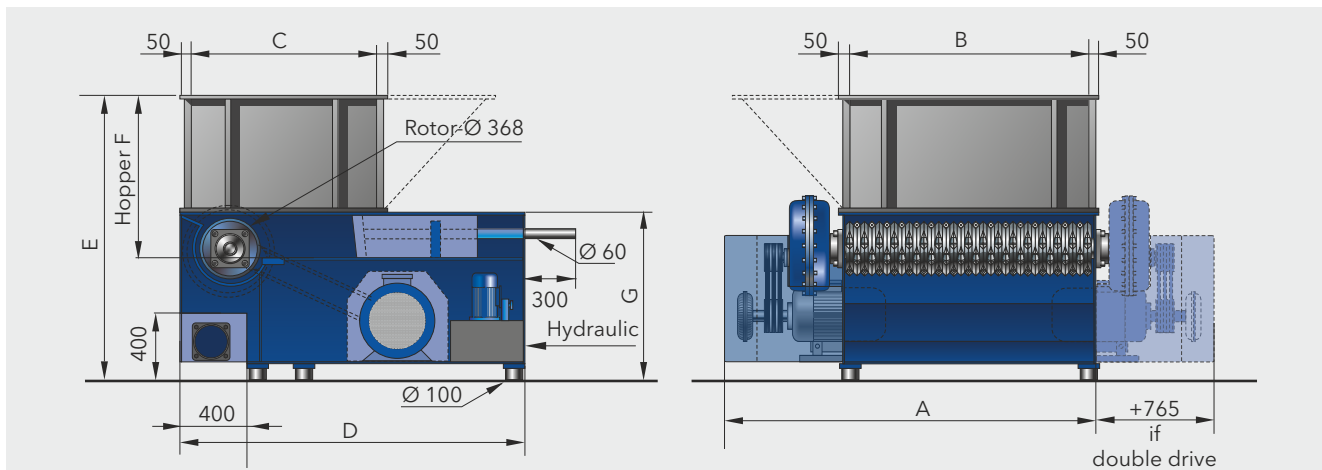


Rotor with a diameter of 368 mm with two rows of knives for higher throughput



Segmented floor

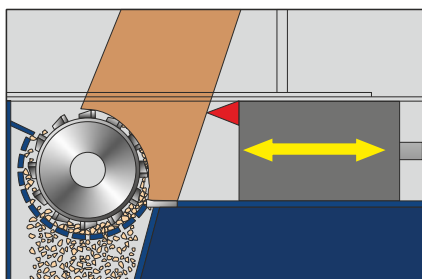
Technical Data GAZ 82 - GAZ 202 S



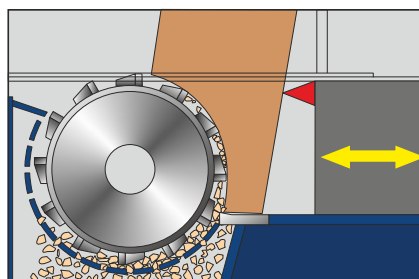
Series GAZ		82	82 S	102	102 S	132 S	152 S	182 S	202 S
Size A	(mm):	1.590	1.690	1.800	1.800	2.100	2.300	2.600	3.000
Size B	(mm):	800	800	1.000	1.000	1.300	1.500	1.800	2.000
Size C	(mm):	1.000	1.200	1.000	1.200	1.200	1.500	1.500	1.500
Size D	(mm):	2.000	2.100	2.000	2.100	2.100	2.700	2.700	2.700
Size E	(mm):	1.640	1.730	1.640	1.730	1.730	1.730	1.900	1.900
Size F	(mm):	1.090	1.020	1.090	1.030	1.030	1.030	1.030	1.030
Size G	(mm):	740	990	740	990	990	990	1.200	1.200
Feed opening	(mm):	800 x 1.000	800 x 1.200	1.000 x 1.000	1.000 x 1.200	1.300 x 1.200	1.500 x 1.500	1.800 x 1.500	2.000 x 1.500
Hopper capacity	(m³):	0,9	1,0	1,0	1,3	1,6	2,3	2,8	3,0
Throughput	(kg/h):	material- and screen dependent							
Rotor diameter	(mm):	252	368	252	368	368	368	368	368
Rotor speed	(rpm):	60 - 100	60 - 120	60 - 100	60 - 120	60 - 120	60 - 120	60 - 120	60 - 120
Power required*	(kW):	15/18,5/22	18,5 - 37	18,5 - 22	22 - 45	22 - 45	30 - 75	45 - 90	55/75/90
Tools	(Pieces):	21	23/42	27	28/52	37/70	43/82	52/100	57/110
Screen perforation	(mm):	8 - 50	8 - 50	8 - 50	8 - 50	8 - 50	8 - 50	8 - 50	8 - 50
Suction piece-Ø	(mm):	200	200	200	200	200	250	250	250
Weight**	(approx. kg):	1.800	2.500	2.000	3.000	3.900	4.500	5.800	6.500

* hydro start coupling possible from 22 kW / ** Variations depending on the optional equipment available
 PLC option for fully automated operation (upon request). Special designs upon request.
 Demonstrations and trials with your material may be coordinated with our technical staff.

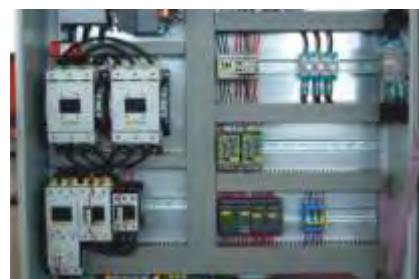
Different rotor sizes for different applications



Rotor with 248 mm diameter = high power at low power input



Rotor with 348 mm diameter = high material removal rate due to large wrap



Inside view control cabinet



GROSS Apparatebau GmbH
 Grinding and briquetting technology
 74360 Ilsfeld (Germany)

Phone: +49-(0) 70 62 - 91660-3
 info@gross-zerkleinerer.de
 www.gross-zerkleinerer.de